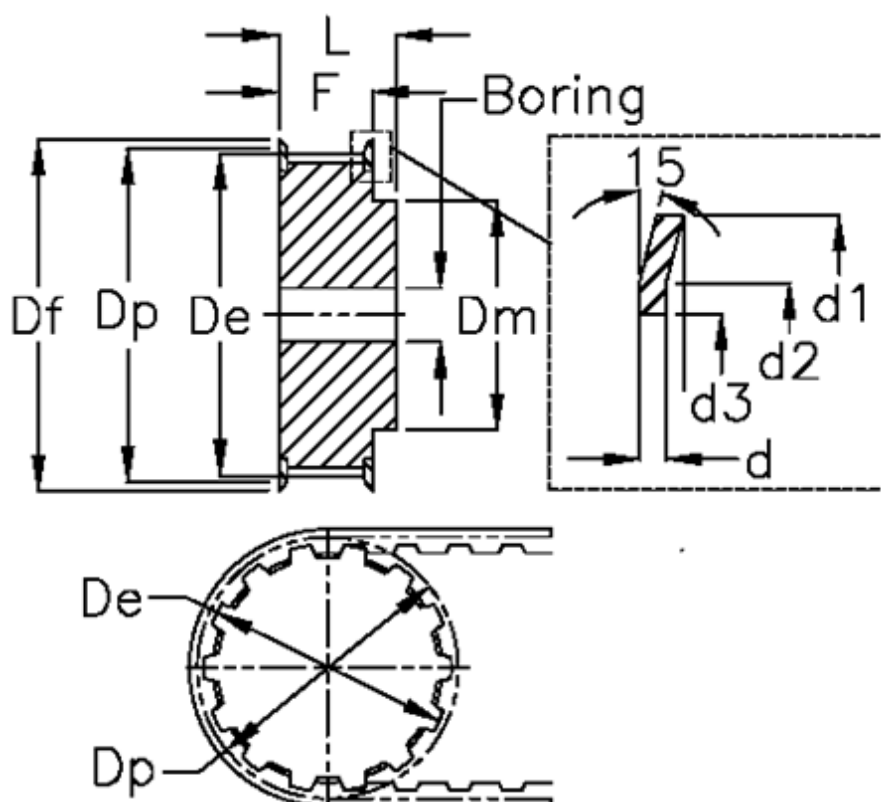


Article number: 604142012009

Description: Timing belt pulley with hub
HTD 12 5M 9

Measures



Bore = 4	Dp = 19.1
d = 1	F = 14.5
d1 = 23	Flange type = F07
d2 = 18	L = 20
d3 = 12.5	Tooth number = 12
De = 17.96	Type = 5M
Df = 23	Weight = 0.028
Dm = 12	Width = 09